

**HAIMER®**  
Quality Wins.

# MICRO COLLET CHUCK TOOL HOLDERS

**NEW**  
AVAILABLE FROM Q1/2025



100%  
**MADE IN  
GERMANY**  
MADE BY HAIMER

[www.haimer.com](http://www.haimer.com)

# HAIMER MICRO COLLET CHUCK

**NEW**  
AVAILABLE FROM Q1/2025

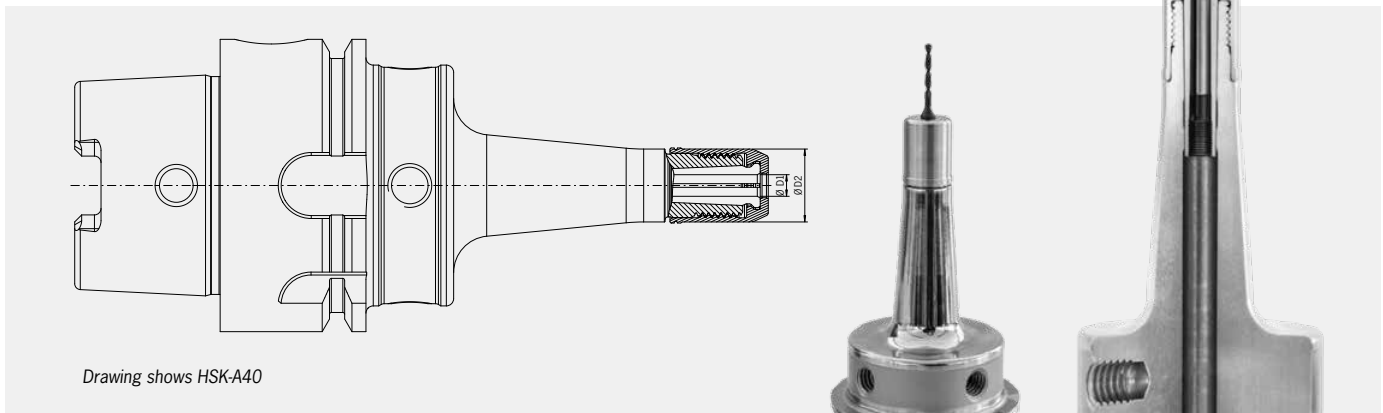
The new Micro Collet Chuck for high-precision clamping of micro tools sets new standards in high precision micromachining of parts in the medical industry, the watch and jewelry industry, in electronics and in precision mould making. The design is slim for accessibility of micro tools in deep cavities.

With the Micro Collet Chuck, tool shanks from diam. 1 mm – 6 mm can be clamped with maximum runout accuracy and perfect balancing quality, resulting in perfect milling surfaces.

The range includes high-precision collets to nominal dimensions, extensions and torque wrenches for optimum tool clamping. Smooth clamping nuts without slots ensure a reduction in vibrations and noise during machining.

## Features:

- Available in the following interfaces: BT30 with face contact, HSK-A40, HSK-A50, HSK-A63
- Clamping diameter  $\varnothing$  1 mm –  $\varnothing$  6 mm with high-precision collets according to nominal dimension
  - Size 1: Clamping diameter:  $\varnothing$  1 mm,  $\varnothing$  2 mm,  $\varnothing$  3 mm
  - Size 2: Clamping diameter:  $\varnothing$  1 mm,  $\varnothing$  2 mm,  $\varnothing$  3 mm,  $\varnothing$  4 mm
  - Size 3: Clamping diameter:  $\varnothing$  1 mm,  $\varnothing$  2 mm,  $\varnothing$  3 mm,  $\varnothing$  4 mm,  $\varnothing$  5 mm,  $\varnothing$  6 mm
- With balancing thread
  - Balancing quality for mass less than 1 kg: < 1 gmm
  - Balancing quality for mass greater than 1 kg: G2,5 at 30.000 min<sup>-1</sup>
- High run-out accuracy < 3  $\mu$ m
- Extensions available in  $\varnothing$  10 mm,  $\varnothing$  12 mm and  $\varnothing$  16 mm (length A dimension = 100 mm)
- Suitable torque wrench available for all 3 sizes



Size	D1 [mm]	D2 [mm]
01	$\varnothing$ 1, $\varnothing$ 2, $\varnothing$ 3	$\varnothing$ 10
02	$\varnothing$ 1, $\varnothing$ 2, $\varnothing$ 3, $\varnothing$ 4	$\varnothing$ 12
03	$\varnothing$ 1, $\varnothing$ 2, $\varnothing$ 3, $\varnothing$ 4, $\varnothing$ 5, $\varnothing$ 6	$\varnothing$ 14



## Accessories

Torque wrench for Micro Collet Chucks



Size 01, 02, 03

## Extensions